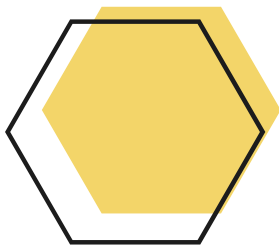




# BlackPepper 4 Outdoor

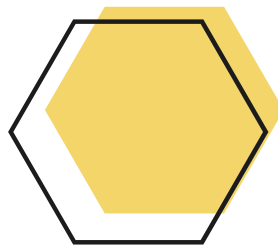
## DATASHEET

**BKP4-OD-N2N2-2450**



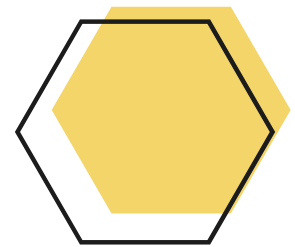
### IEEE 820.11 a/b/g/n

High-Performance, Dual independent Radio operating in ISM 2.4 GHz license-free Band and 4.9/5 GHz Bands, 2x2 MIMO



### Optimized SWaP-C

Size, Weight, Power, Cost Optimized Radio Module



### Industrial grade

-40 deg C to +85 deg C operation temperature

dun & bradstreet



VIZMONET PTE LTD

21 Woodlands Close, #03-01, Primz Biz Hub, Singapore 737 854  
+65 6255 0581 | enquiry@vizmonet.com | <https://vizmonet.com>

HW REV# 01.00  
Last updated on Feb-09-25

## SWaP-C Optimized Design



# TECHNICAL SPECIFICATION

RADIO MODULE – GENERAL INFO	
Radio chipset	Qualcomm QCA 9550-AT4B (CPU) & AR 8033-AL1B (Ethernet PHY) Qualcomm AR 9592-AR1B
NOR Flash	SPI Flash, 16MB
NAND Flash	NAND Flash, 256 MB
RAM	DDR2, 200 MHz, 256 MB (64Mx16x2)
Operating System	Linux, OPENWRT, supports open source ath9K Linux driver
Security	128-bit AES, WEP, TKIP and WAPI hardware encryption Support for IEEE 802.11d, e, h, i standards Small packet size (96 Bytes) in AES encryption at full packet rate Loopback mode to assist FIPS AES certification
Operating frequency – 11 b/g/n	2400 MHz to 2483.5 MHz (2S, MIMO)
Operating frequency – 11 a/b/g/n	4900 MHz to 5850 MHz (2S, MIMO)
Data rate - 1S, SISO	1 Mbps, 2 Mbps, 5.5Mbps, 111 Mbps (11b) 6Mbps, 9Mbps, 12Mbps, 24Mbps, 36Mbps, 48Mbps, 54Mbps (11g)
Data rate - 2S, MIMO	MCS0, MCS1, MCS2, MCS3, MCS4, MCS5, MCS6, MCS7 (11n, 1S,SISO) MCS8, MCS9, MCS10, MCS11, MCS12, MCS13, MCS14, MCS15 (11n,2S,MIMO)
Channel BW – 2.4 GHz, 4.9 GHz, 5 GHz	5 MHz/10 MHz/20 MHz /40 MHz
Compliance	RoHS, MIL-STD-810G Shock & Vibration
MAC ID	74E277 Series
INTERFACE SPECIFICATIONS	
Power	Passive POE in
Operating Voltage	9V to 30V
RF Antenna connector	x4 N Bulkhead Female (Jack) connectors
ENVIRONMENTAL SPECIFICATIONS	
Operating Temperature Range	-40 deg C to +85 deg C
PHYSICAL SPECIFICATIONS	
Mechanical Dimension	(L) 100 mm x (W) 168 mm x (D) 45 mm
Weight	700 g
REGULATORY INFORMATION	
Compliance	In Progress
PACKAGING INFORMATION	
No of units	TBD

ORDERING INFORMATION

BKP4-OD-N2N2-2450

BlackPepper 4, Outdoor, Dual Independent, 2x2 MIMO, IEEE 802.11 a/b/g/n, 2.4 GHz, 5 GHz Bands, 29 dBm

## RADIO SPECIFICATION

### TX/RX Specification – 2412 MHz to 2462 MHz

Sensitivity tested in ART Mode, PSR >=95%, Chain0+Chain1

TX Power per chain (SISO mode) and Sensitivity Tolerance = +/- 2 dBm

Current consumption is measured at the input of the module, powered by 24V DC and it includes idle current drawn by the system.

Data Rate	TX Power per chain (dBm)	Current 24V (A)	RX Sensitivity (dBm)
54 Mbps	20	0.230	-80
48 Mbps	21	0.245	-81
36 Mbps	23	0.265	-88
24 Mbps	25	0.290	-89
18 Mbps	25	0.290	-92
12Mbps	25	0.290	-94
9 Mbps	25	0.290	-95
6 Mbps	26	0.300	-96
11 Mbps	26	0.300	-91
5.5 Mbps	26	0.300	-96
2 Mbps	26	0.300	-98
1 Mbps	26	0.300	-99
HT20-MCS7	19	0.220	-74
HT20-MCS6	20	0.230	-75
HT20-MCS5	21	0.245	-76
HT20-MCS4	22	0.255	-81
HT20-MCS3	24	0.270	-85
HT20-MCS2	24	0.270	-89
HT20-MCS1	24	0.270	-91
HT20-MCS0	26	0.300	-93
HT40-MCS7	19	0.220	-71
HT40-MCS6	20	0.230	-72
HT40-MCS5	21	0.245	-73
HT40-MCS4	22	0.255	-78
HT40-MCS3	24	0.270	-82
HT40-MCS2	24	0.270	-86
HT40-MCS1	24	0.270	-88
HT40-MCS0	26	0.300	-90

**TX/RX Specification – 4920 MHz to 4990 MHz**

Sensitivity tested in ART Mode, PSR >=95%, Chain0+Chain1

TX Power per chain (SISO mode) and Sensitivity Tolerance = +/- 2 dBm

Current consumption is measured at the input of the SBC with the 5 GHz radio module connected to it. The current consumption figures are then adjusted so that they only include extra current drawn by the 5 GHz radio module

Data Rate	TX Power per chain (dBm)	Current 24V (A)	RX Sensitivity (dBm)
54 Mbps	19	0.19	-77
48 Mbps	20	0.20	-80
36 Mbps	22	0.22	-82
24 Mbps	23	0.23	-85
18 Mbps	23	0.23	-87
12Mbps	23	0.23	-89
9 Mbps	23	0.23	-92
6 Mbps	23	0.23	-94
HT20-MCS7	18	0.19	-71
HT20-MCS6	19	0.19	-74
HT20-MCS5	20	0.20	-75
HT20-MCS4	22	0.22	-79
HT20-MCS3	23	0.23	-82
HT20-MCS2	23	0.23	-86
HT20-MCS1	23	0.23	-88
HT20-MCS0	26	0.27	-92
HT40-MCS7	18	0.19	-68
HT40-MCS6	19	0.19	-71
HT40-MCS5	20	0.20	-72
HT40-MCS4	22	0.22	-76
HT40-MCS3	23	0.23	-79
HT40-MCS2	23	0.23	-83
HT40-MCS1	23	0.23	-85
HT40-MCS0	26	0.27	-89

**TX/RX Specification – 5180 MHz to 5320 MHz**

Sensitivity tested in ART Mode, PSR >=95%, Chain0+Chain1  
 TX Power per chain (SISO mode) and Sensitivity Tolerance = +/- 2 dBm  
 Current consumption is measured at the input of the SBC with the 5 GHz radio module connected to it. The current consumption figures are then adjusted so that they only include extra current drawn by the 5 GHz radio module

Data Rate	TX Power per chain (dBm)	Current 24V (A)	RX Sensitivity (dBm)
54 Mbps	20	0.20	-77
48 Mbps	21	0.21	-80
36 Mbps	23	0.23	-82
24 Mbps	24	0.24	-85
18 Mbps	24	0.24	-87
12Mbps	24	0.24	-89
9 Mbps	24	0.24	-92
6 Mbps	24	0.24	-94
HT20-MCS7	19	0.19	-71
HT20-MCS6	20	0.20	-74
HT20-MCS5	21	0.21	-75
HT20-MCS4	23	0.23	-79
HT20-MCS3	24	0.24	-82
HT20-MCS2	24	0.24	-86
HT20-MCS1	24	0.24	-88
HT20-MCS0	26	0.27	-92
HT40-MCS7	19	0.19	-68
HT40-MCS6	20	0.20	-71
HT40-MCS5	21	0.21	-72
HT40-MCS4	23	0.23	-76
HT40-MCS3	24	0.24	-79
HT40-MCS2	24	0.24	-83
HT40-MCS1	24	0.24	-85
HT40-MCS0	26	0.27	-89

**TX/RX Specification – 5500 MHz to 5720 MHz**

Sensitivity tested in ART Mode, PSR >=95%, Chain0+Chain1  
 TX Power per chain (SISO mode) and Sensitivity Tolerance = +/- 2 dBm  
 Current consumption is measured at the input of the SBC with the 5 GHz radio module connected to it. The current consumption figures are then adjusted so that they only include extra current drawn by the 5 GHz radio module

Data Rate	TX Power per chain (dBm)	Current 24V (A)	RX Sensitivity (dBm)
54 Mbps	19	0.19	-77
48 Mbps	20	0.20	-80
36 Mbps	23	0.23	-82
24 Mbps	26	0.27	-85
18 Mbps	26	0.27	-87
12Mbps	26	0.27	-89
9 Mbps	26	0.27	-92
6 Mbps	26	0.27	-94
HT20-MCS7	19	0.19	-71
HT20-MCS6	20	0.20	-74
HT20-MCS5	21	0.21	-75
HT20-MCS4	23	0.23	-79
HT20-MCS3	24	0.24	-82
HT20-MCS2	24	0.24	-86
HT20-MCS1	24	0.24	-88
HT20-MCS0	26	0.27	-92
HT40-MCS7	19	0.19	-68
HT40-MCS6	20	0.20	-71
HT40-MCS5	21	0.21	-72
HT40-MCS4	23	0.23	-76
HT40-MCS3	24	0.24	-79
HT40-MCS2	24	0.24	-83
HT40-MCS1	24	0.24	-85
HT40-MCS0	26	0.27	-89

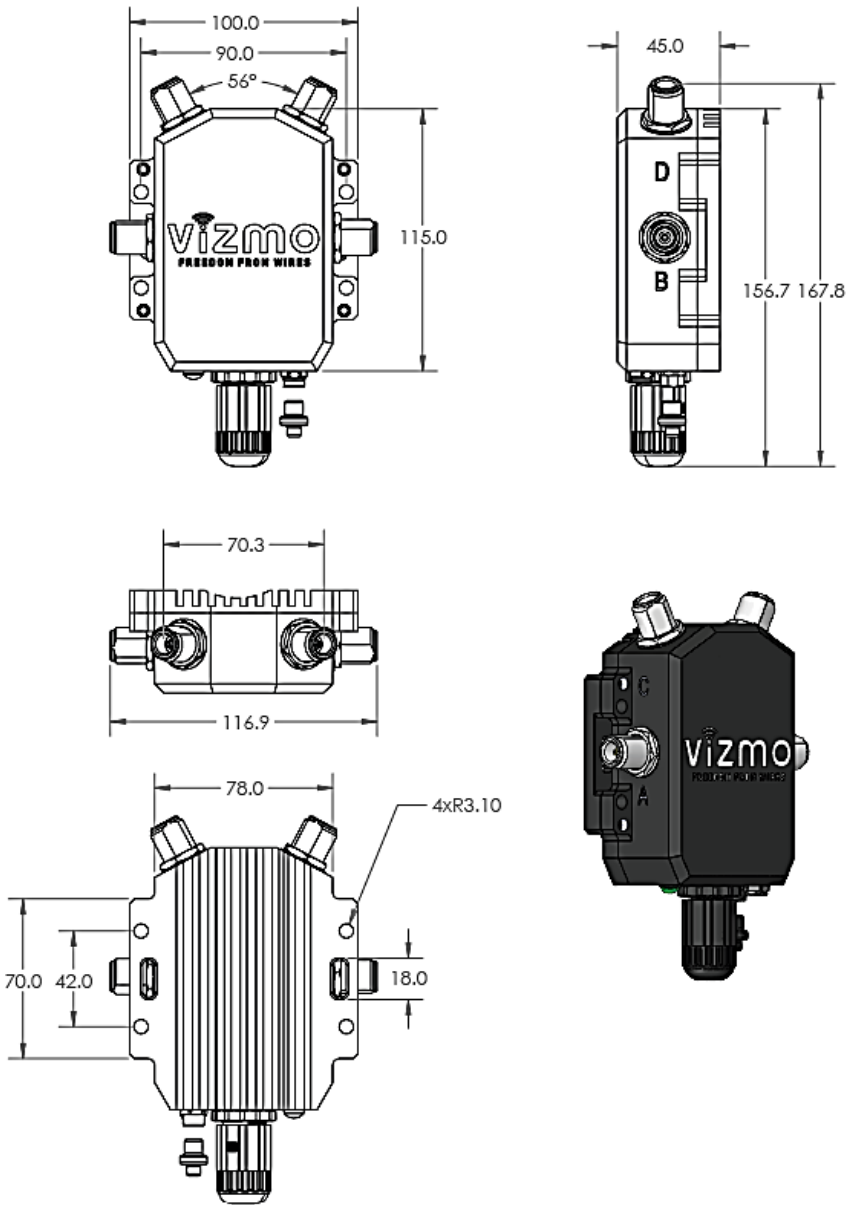
**TX/RX Specification – 5745 MHz to 5825 MHz**

Sensitivity tested in ART Mode, PSR >=95%, Chain0+Chain1  
 TX Power per chain (SISO mode) and Sensitivity Tolerance = +/- 2 dBm  
 Current consumption is measured at the input of the SBC with the 5 GHz radio module connected to it. The current consumption figures are then adjusted so that they only include extra current drawn by the 5 GHz radio module

Data Rate	TX Power per chain (dBm)	Current 24V (A)	RX Sensitivity (dBm)
54 Mbps	19	0.19	-74
48 Mbps	20	0.20	-77
36 Mbps	23	0.23	-79
24 Mbps	26	0.27	-82
18 Mbps	26	0.27	-84
12Mbps	26	0.27	-86
9 Mbps	26	0.27	-89
6 Mbps	26	0.27	-91
HT20-MCS7	18	0.19	-68
HT20-MCS6	19	0.19	-71
HT20-MCS5	20	0.20	-72
HT20-MCS4	23	0.23	-76
HT20-MCS3	24	0.24	-79
HT20-MCS2	24	0.24	-83
HT20-MCS1	24	0.24	-85
HT20-MCS0	26	0.27	-89
HT40-MCS7	18	0.19	-65
HT40-MCS6	19	0.19	-68
HT40-MCS5	20	0.20	-69
HT40-MCS4	23	0.23	-73
HT40-MCS3	24	0.24	-76
HT40-MCS2	24	0.24	-81
HT40-MCS1	24	0.24	-82
HT40-MCS0	26	0.27	-86



# MECHANICAL DIMENSIONS



### Trademarks

The information in this document is being provided in connection with Vizmonet products, which are subject to continuous developments and improvements. While every effort is made to ensure that the information contained in this document is correct and accurate at the time of this printing, Vizmonet makes no representations or warranties with respect to the accuracy of the information and is not liable for errors or mistakes that may arise. However, Vizmonet reserves the right to make changes to specifications and product descriptions at any time without notice. Vizmonet does not assume any responsibility for the use of the described product; neither does it convey any license under its patent rights, or the rights of others. Vizmonet products are not intended, authorized, or warranted for use as components in applications intended to support or sustain life. Built-to-Customize™ is a trademark of Vizmonet. All other trademarks, registered trademarks and product names are the sole property of their respective owners.

HW REV# 01.00

### Contact

Web: <https://vizmonet.com>  
Email: [enquiry@vizmonet.com](mailto:enquiry@vizmonet.com)

### Headquarters

Vizmonet Pte Ltd  
21, Woodlands Close  
#03-01, Primz Biz Hub  
Singapore 737 854